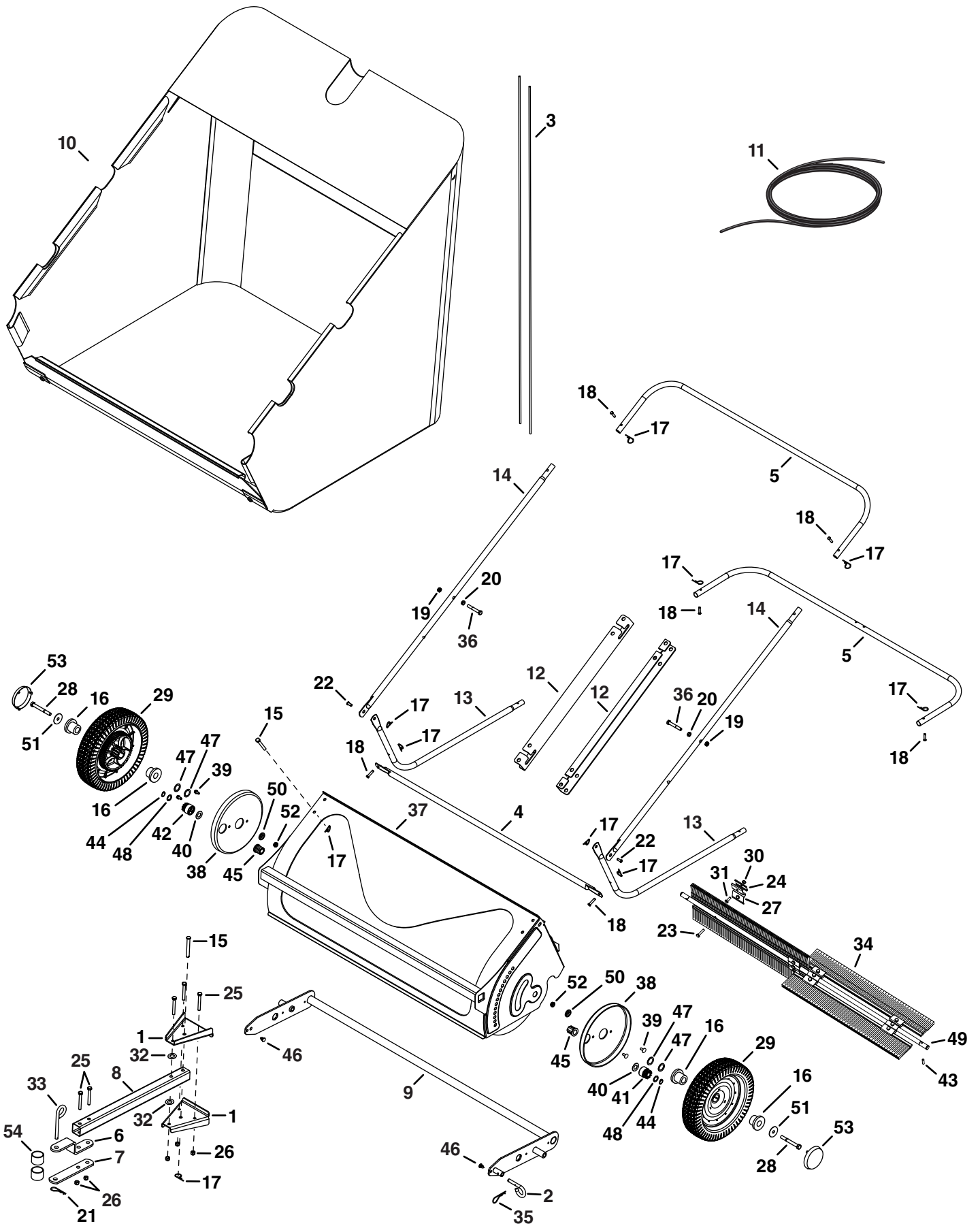


582 71 99-01 REPAIR PARTS



582 71 99-01 REPAIR PARTS LIST

REF	QTY	PART NO	DESCRIPTION	REF	QTY	PART NO	DESCRIPTION
1	2	586 80 37-01	Drawbar Bracket	29	2	531 00 27-46	Wheel
2	1	501 33 87-01	Pivot Lock Pin 3/8"	30	12	522 75 44-01	Nylock Nut, 1/4"
3	2	586 80 55-01	Hopper Support Rod	31	8	522 75 93-01	Hex Bolt, 1/4-20 x 3/4"
4	1	589 43 35-01	Bag Frame Tube	32	2	501 34 76-01	Washer, .411" x 1" x .03"
5	2	589 43 36-01	Rear Hopper Tube	33	1	506 62 56-01	Hitch Pin
6	1	506 62 12-01	Hitch Bracket	34	4	589 43 30-01	Brush
7	1	522 75 10-01	Hitch Bracket (Straight)	35	1	531 00 76-93	Hairpin Agitator
8	1	586 80 32-01	Drawbar	36	2	531 00 81-14	Hex Bolt, 3/8-16 x 2-1/2"
9	1	589 43 69-01	Height Adjustment Tube	37	1	589 43 70-01	Sweeper Housing
10	1	589 43 37-01	Hopper Bag	38	2	589 43 33-01	Dust Cover
11	1	531 00 27-34	Hopper Rope	39	4	589 43 32-01	Pop Rivet
12	2	586 80 33-01	Bag Arm	40	2	577 73 17-01	Shim Washer
13	2	586 80 43-01	Lower Hopper Tube	41	1	580 74 15-01	Pinion Gear (LH)
14	2	586 80 54-01	Upper Hopper Tube	42	1	580 74 14-01	Pinion Gear (RH)
15	5	586 80 80-01	Clevis Pin, 3/8 x 2-1/4"	43	2	531 00 76-50	Dowel Pin, 1/4 x 3/4"
16	4	531 00 27-40	Wheel Bearing	44	2	586 80 52-01	Retaining Ring
17	14	531 00 28-43	Hair Pin, 3/32 x 1.8"	45	2	586 80 73-01	Bearing Assembly
18	6	531 00 76-84	Clevis Pin, 1/4 x 1.11"	46	2	589 49 26-01	Plastic Plug
19	2	586 80 53-01	Nylock Jam Nut, 3/8"	47	4	586 80 77-01	Washer, 1-1/4"
20	2	586 80 78-01	Jam Nut, 3/8"	48	2	580 74 13-01	Washer, .598"
21	1	522 75 20-01	Hair Cotter Pin, 3/32 x 2-5/16"	49	1	589 43 34-01	Brush Shaft
22	2	531 00 76-85	Clevis Pin, 3/8 x 1/2"	50	2	581 73 76-01	Step Spacer
23	4	531 00 76-26	Hex Bolt, 1/4-20 x 1"	51	2	522 76 08-01	Washer, 1-1/4"
24	8	506 62 07-01	Brush Retainer (Single)	52	2	522 76 09-01	Nylock Jam Nut, 3/8"
25	5	580 74 25-01	Bolt, Hex 5/16-18 x 2-1/2"	53	2	506 62 30-01	Hub Cap
26	5	522 75 16-01	Nut, Nylock 5/16-18	54	2	506 62 65-01	Spacer
27	4	506 62 06-01	Brush Retainer (Double)		1	45844	Owner's Manual
28	2	589 43 71-01	Hex Bolt, 3/8-24 x 2-3/4"				